






ALPHA SOLAR





net.grundfos.com/qr/i/99924458



Max. 1.0 MPa (10 bar) 


		
Min.	2 °C	0 °C
Max.	110 °C	70 °C
	130 °C	60 °C

	75 °C	95 °C	110 °C
	0.005 MPa 0.05 bar	0.05 MPa 0.5 bar	0.108 MPa 1.08 bar

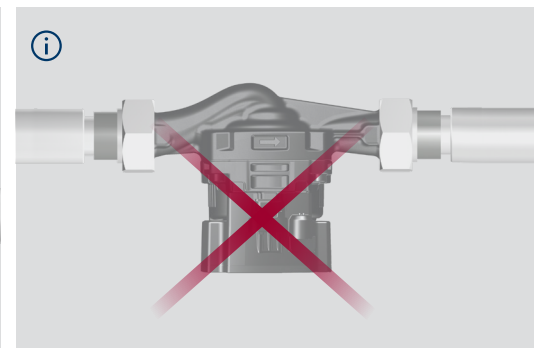
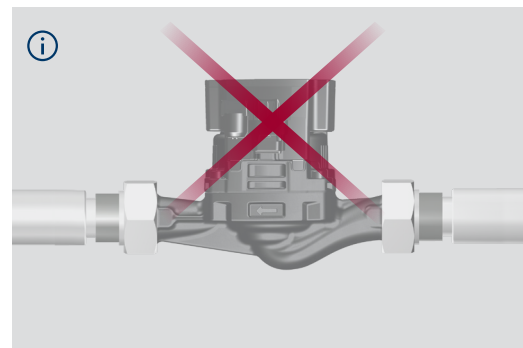
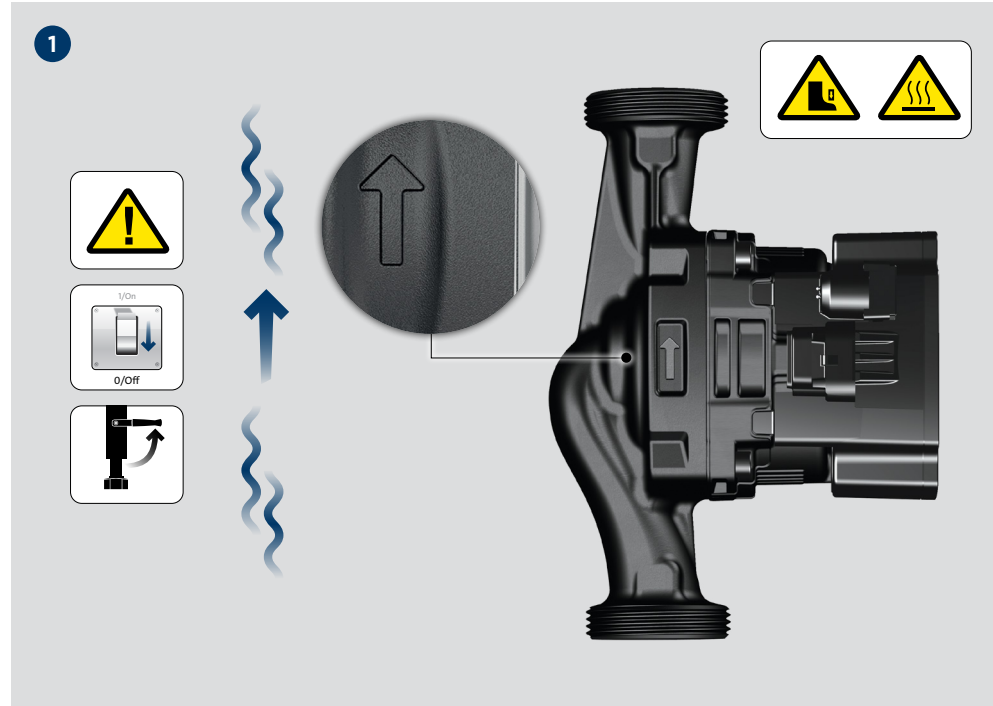


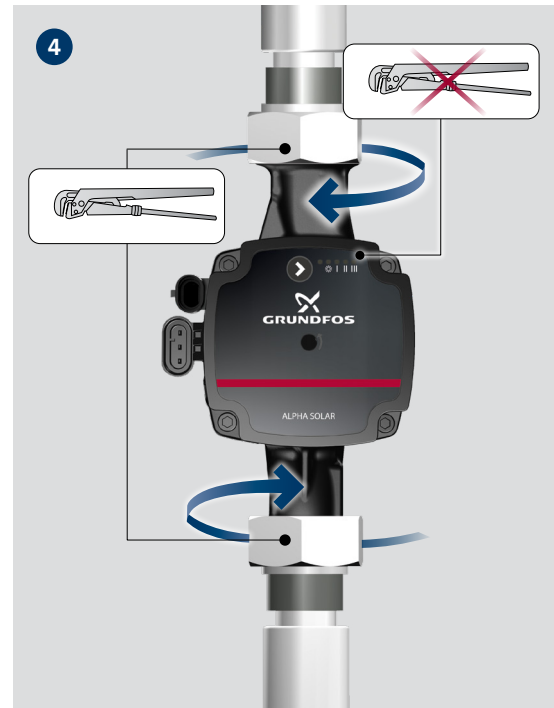
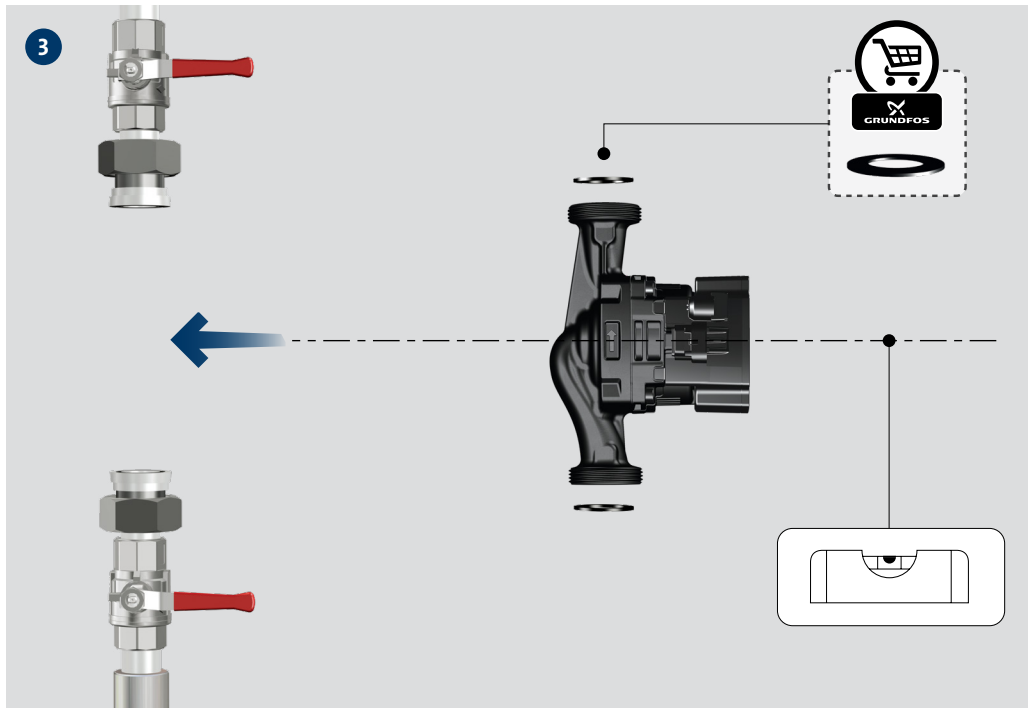
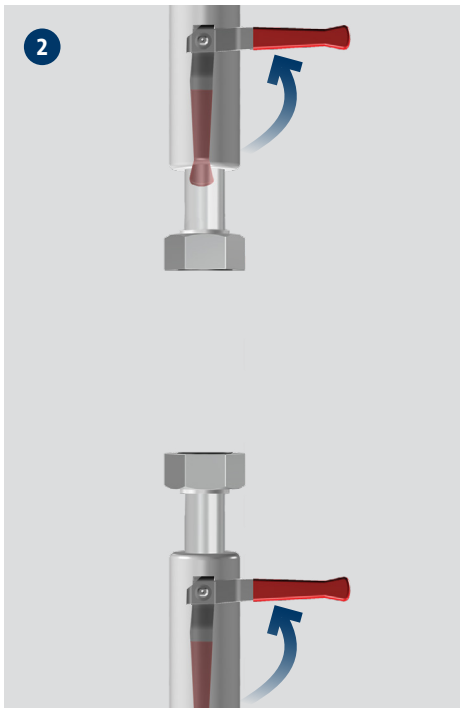
Max. 50% Glycol
Max. 10 mm²/s Viscosity

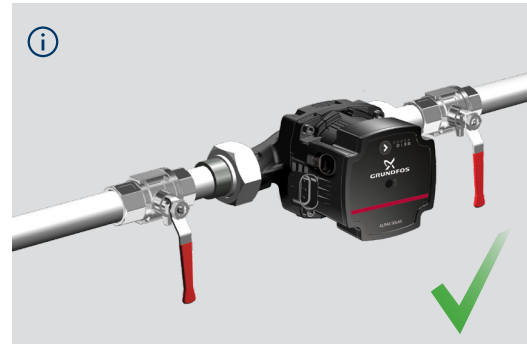
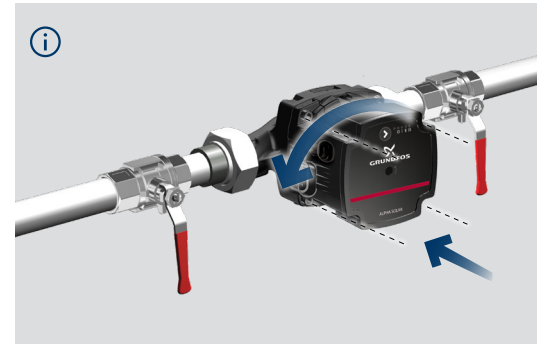
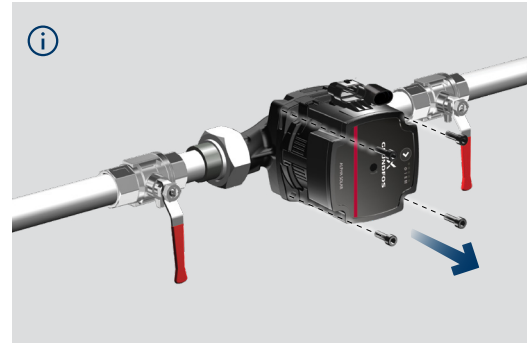
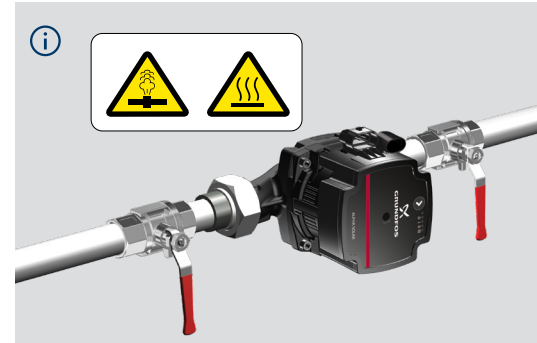
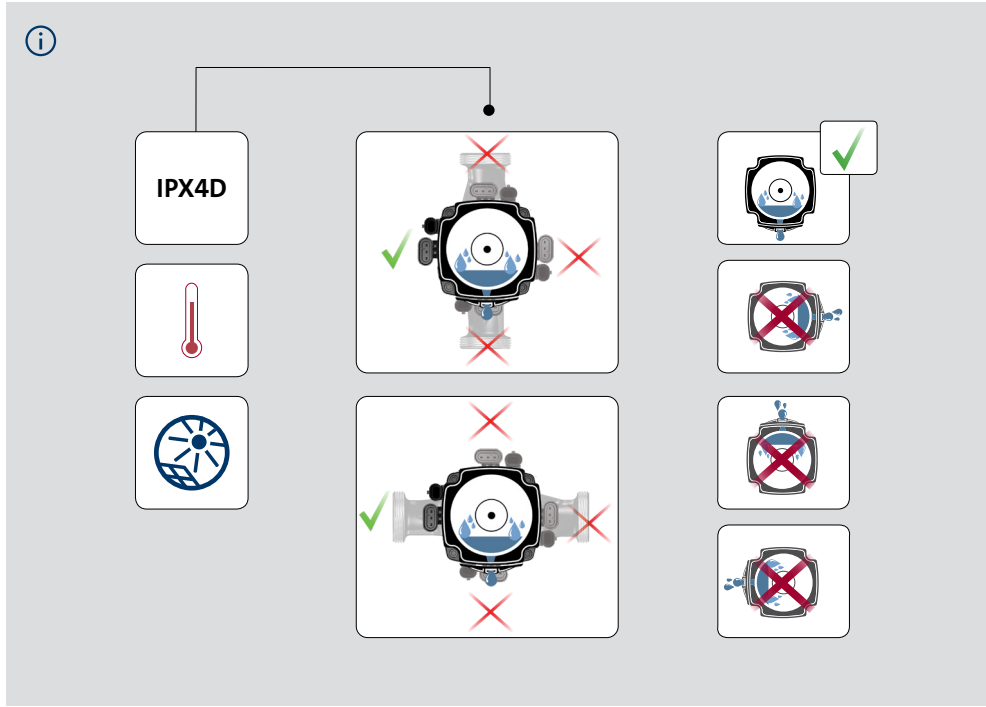
< 32 dB(A) 

Max. 95% RH
IPX4D 







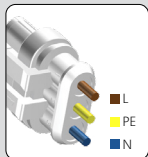




5a

INTERNALLY CONTROLLED CONSTANT CURVE

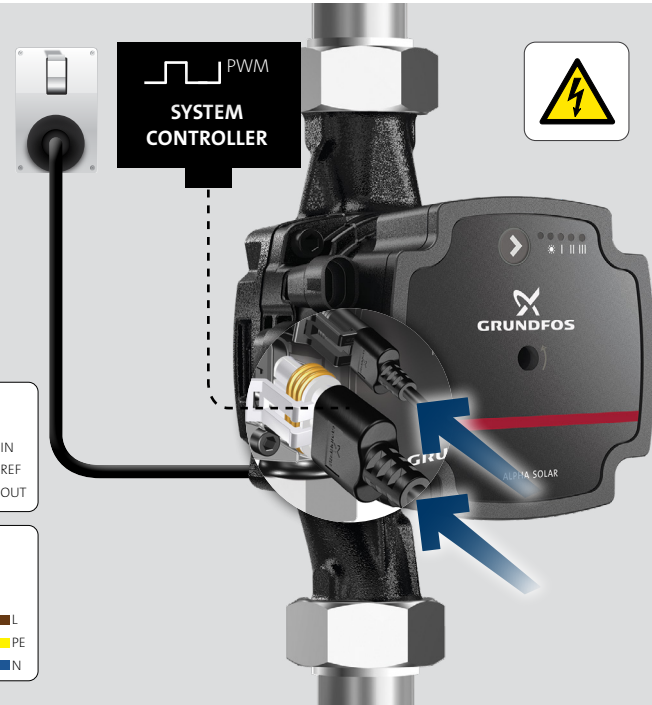
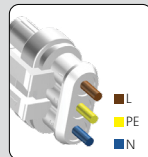
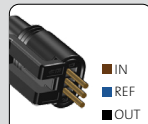
1 × 230 V +10/-15%
~ 50/60 Hz Ⓢ

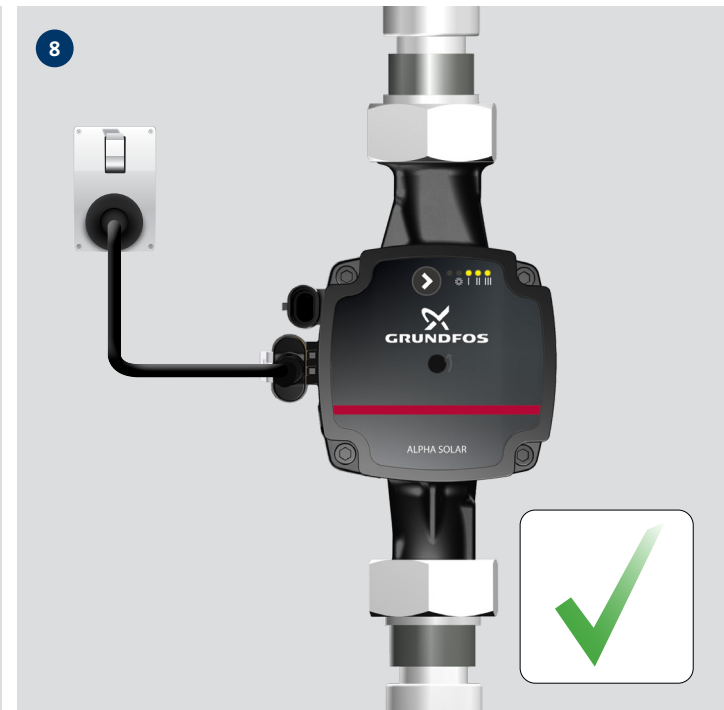
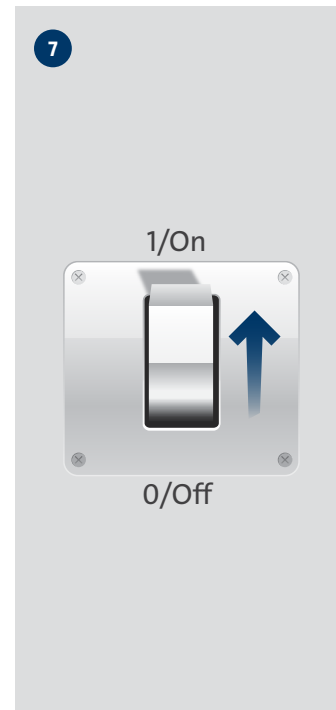
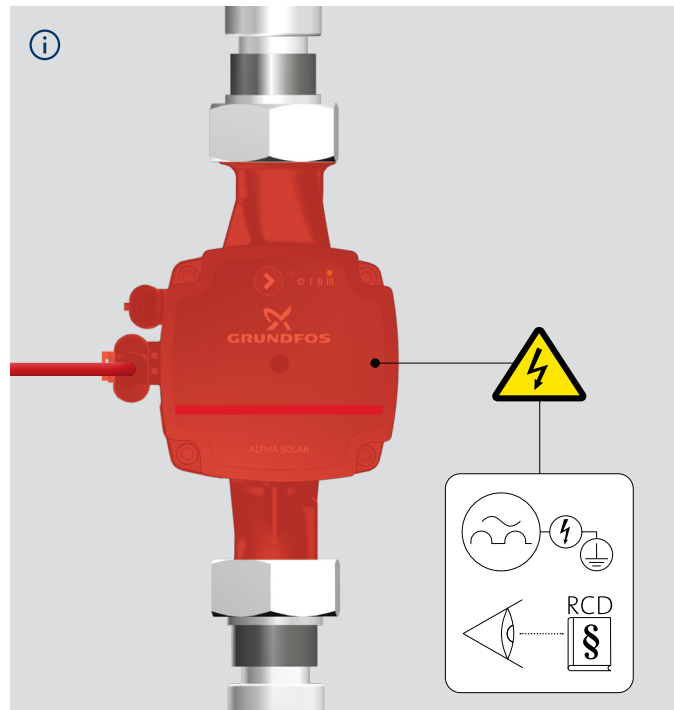


5b

EXTERNALLY CONTROLLED PWM C PROFILE SOLAR

1 × 230 V +10/-15%
~ 50/60 Hz Ⓢ







	OPERATING PANEL	CONTROL MODE
0	● ● ● ● ●	CONSTANT CURVE 1
1	● ● ● ● ●	CONSTANT CURVE 2
2	● ● ● ● ●	CONSTANT CURVE 3 - MAX
3	● ● ● ● ●	PWM PROFILE C - SIGNAL OFF
	● ● ● ● ●	PWM PROFILE C - SIGNAL ON

FLASH INDICATION

	1 FLASH PER SECOND		12 FLASHES PER SECOND
--	--------------------	--	-----------------------

FAULT	OPERATING PANEL	REMEDY
 OFF 0 V		
 ON 230 V		 5 mm
 ON <160 V		
 ON 230 V		