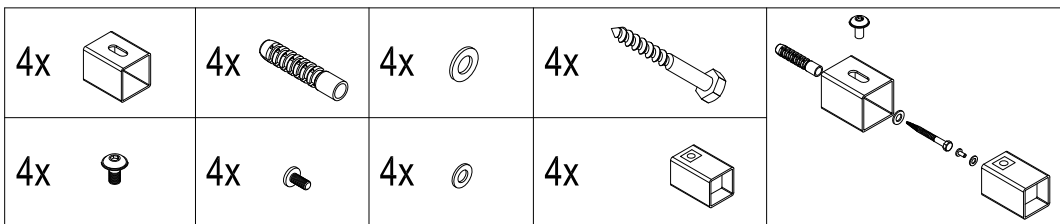
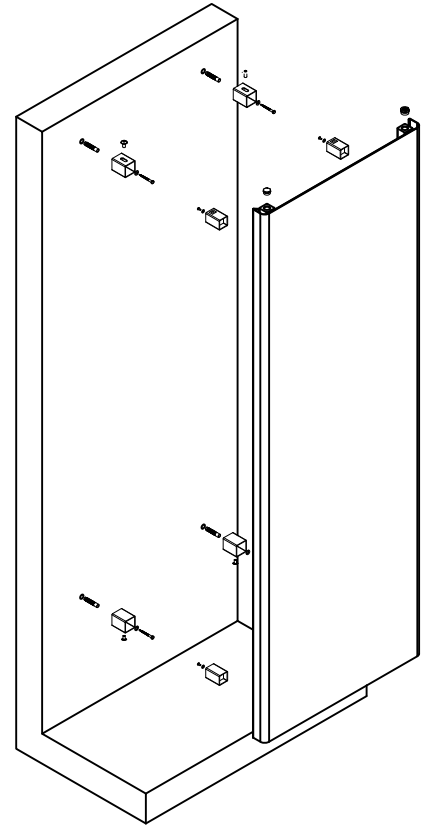
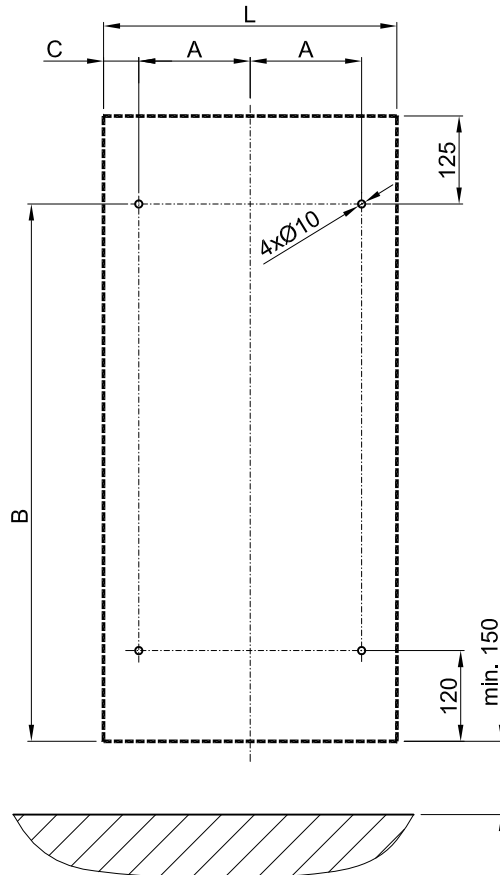
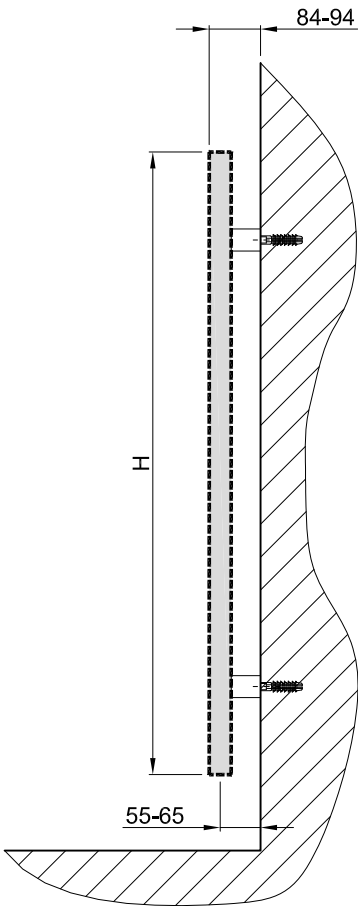


# CONCEPT 300 - FLAT



H/L [mm]	A [mm]	B [mm]	C [mm]
1525/456	191	1400	37
1525/606	256	1400	37
1765/456	191	1640	37
1765/606	256	1640	37

